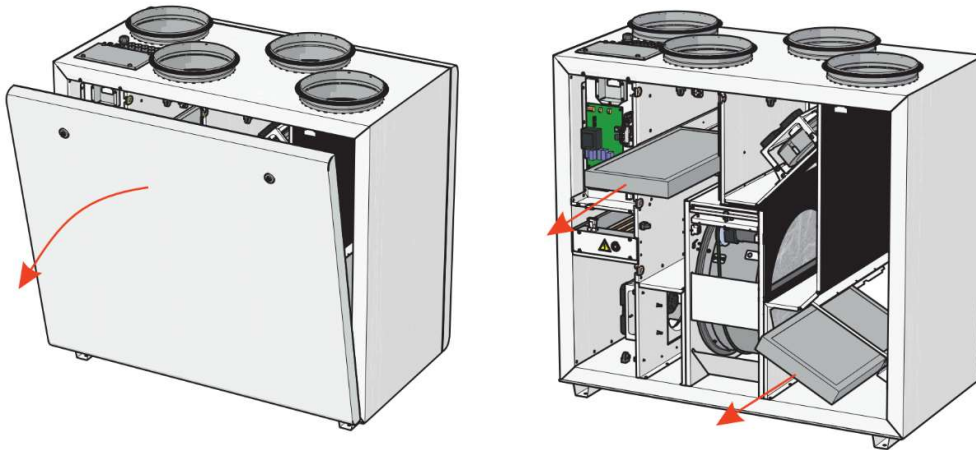


RIRS 400-700 V EKO 3.0

- In order to remove the filters, open the front cover and take out the filters.
- Use for supply air: Filter panel cardboard frame MPL 450x170x46-ePM1-70 (F7) (**RIRS 400 V EKO 3.0**)
- Use for extract air: Filter panel cardboard frame MPL 450x170x46-ePM10-55 (M5) (**RIRS 400 V EKO 3.0**)

- Use for supply air: Filter panel cardboard frame MPL 545x260x46-ePM1-70 (F7) (**RIRS 700 V EKO 3.0**)
- Use for extract air: Filter panel cardboard frame MPL 545x260x46-ePM10-55 (M5) (**RIRS 700 V EKO 3.0**)



Standard filters:

RIRS 400V EKO 3.0

- Filter panel cardboard frame MPL 450x170x46-ePM1-70 (F7)
- Filter panel cardboard frame MPL 450x170x46-ePM10-55 (M5)

RIRS 700V EKO 3.0

- Filter panel cardboard frame MPL 545x260x46-ePM1-70 (F7)
- Filter panel cardboard frame MPL 545x260x46-ePM10-55 (M5)

