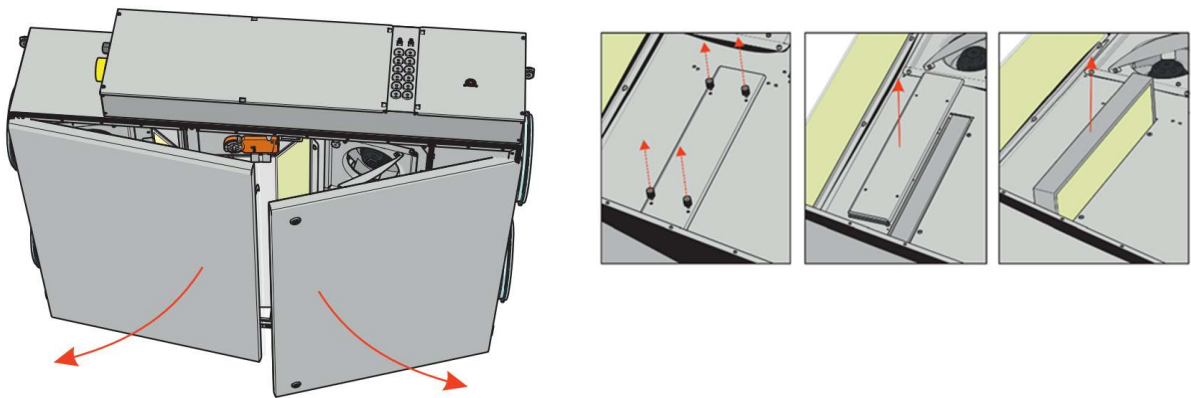


## RIS 400-700 P EKO 3.0

- In order to remove the filters, open the front cover and take out the filters.
- Use for supply air: Filter panel cardboard frame MPL 300x220x46-ePM1-70 (F7) (**RIS 400 P EKO 3.0**)
- Use for extract air: Filter panel cardboard frame MPL 300x220x46-ePM10-55 (M5) (**RIS 400 P EKO 3.0**)
  
- Use for supply air: Filter panel cardboard frame MPL 445x210x46-ePM1-70 (F7) (**RIS 700 P EKO 3.0**)
- Use for extract air: Filter panel cardboard frame MPL 445x210x46-ePM10-55 (M5) (**RIS 700 P EKO 3.0**)



### Standard filters:

#### RIS 400P EKO 3.0

- Use for supply air: Filter panel cardboard frame MPL 300x220x46-ePM1-70 (F7)
- Use for extract air: Filter panel cardboard frame MPL 300x220x46-ePM10-55 (M5)

#### RIS 700P EKO 3.0

- Use for supply air: Filter panel cardboard frame MPL 445x210x46-ePM1-70 (F7)
- Use for extract air: Filter panel cardboard frame MPL 445x210x46-ePM10-55 (M5)

