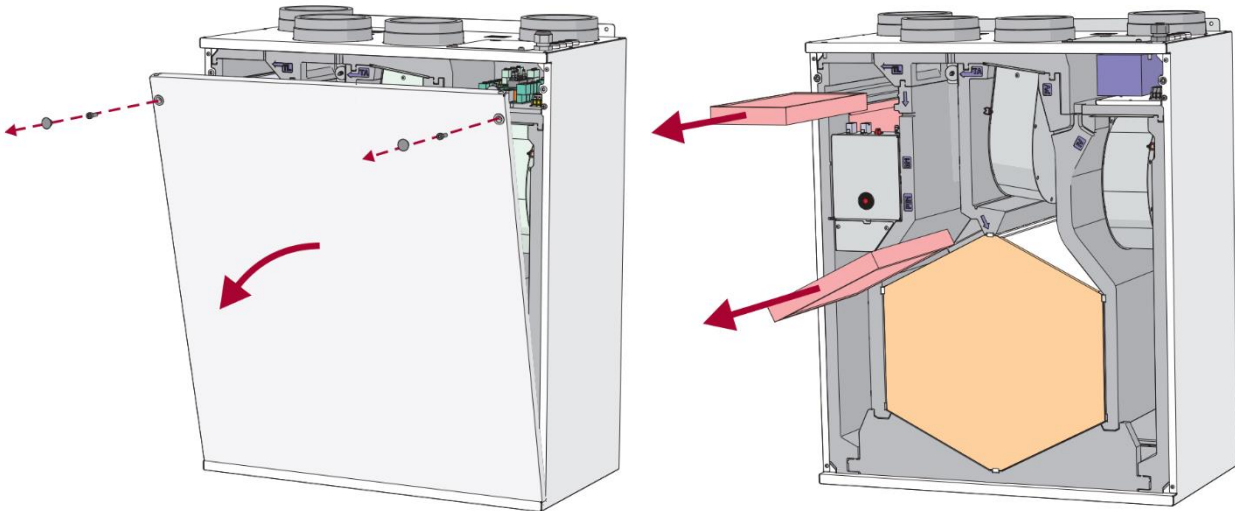


Smarty 2X V

- In order to remove the filters, open the front cover and take out the filters.
- Use Coarse 65% (G4) filters or optionally the ePM1 70% (F7) filter for outdoor air filtration and the Coarse 65% (G4) filter for the exhaust air filtration.



Standard filters:

- Use for supply air: Filter panel cardboard frame MPL Z 270x121x25-Coarse-65 (G4)
- Use for extract air: Filter panel cardboard frame MPL Z 270x187x25-Coarse-65 (G4)

Optional filter:

- Use for supply air: Filter panel synthetic frame MPL 270x121x256-ePM1-70 (F7)

